

BendPlas 70 x 30 mm MR6P

The BendPlas label from RICHRFID is adhesive, flexible smart RFID labels, designed specifically to identify, locate, and manage physical assets automatically. They enable fast, contactless scanning of multiple items at once - often from several meters away- without needing line-of-sight, making them far more efficient than traditional barcodes.

With the adhesive specially strong attachment on asset and moisture, normal chemicals and life water proof material, the label also allows customization with text, logos, barcodes, QR codes, datamatrix, etc for visual identification.

By enabling accurate, real-time visibility without manual counts, they reduce losses, optimize utilization, slash labor costs, and provide data for smarter business decisions. The key to success is selecting the right label for your specific assets and environment and integrating the data into your management systems.

Applications

Non-metal Asset Management: tables, chairs, cabinets, sofas, documents, archives, etc.

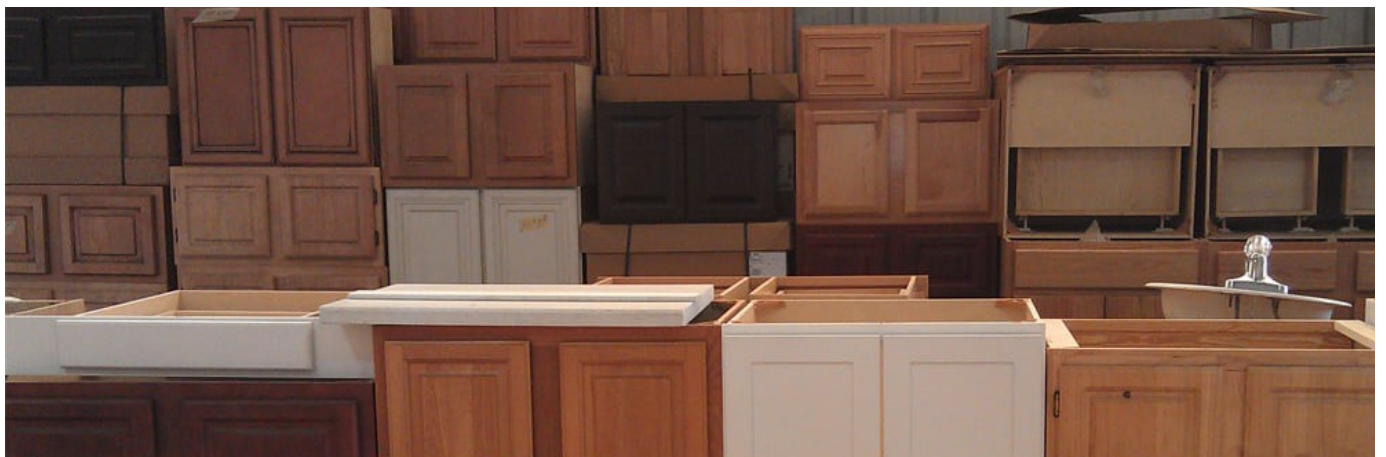
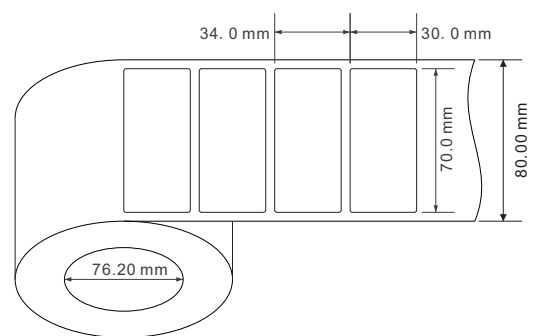
Overview

Frequency Band
 UHF 860-960 MHz

Chip Type
 Impinj Monza R6P

Dimension
 70 x 30 mm / 2.76 x 1.18 in

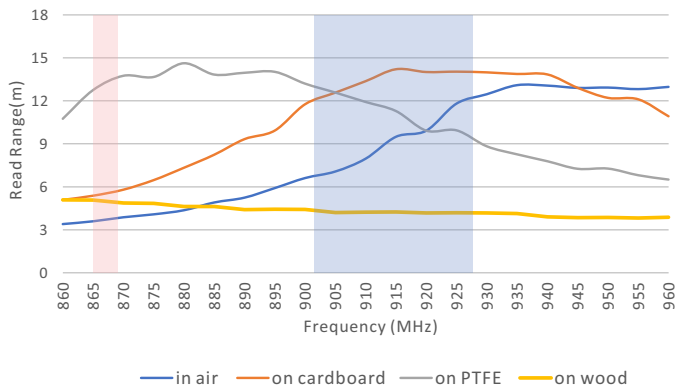
Air Interface Protocol
 ISO/IEC 18000-63 Type C



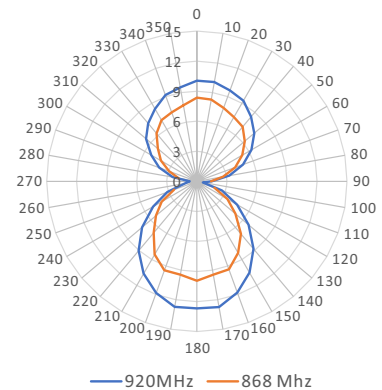
Technical Features

Model	RC5805
RFID Features	
Frequency	860-960 MHz
Application	Non metal
Chip Type	Impinj Monza R6P
Memory	User - 32(64) bits; EPC - 128(96) bits; TID - 96 bits
Data Storage	> 10 years
Re-write	100,000 times
Physical Features	
Dimension	70 x 30 mm / 2.76 x 1.18 in
Material	PET
Adhesive	Double-sided tape
Operating Temperature	-40°C to 85°C / -40°F to 185°F
Storage Condition	20±5°C, 50±10% RH, Store away from sunlight
Other Features	
Installation	Adhesive on clean & dry surface
Customization	Printing, Encoding, Designing, etc.
Package	2,500 pcs / roll, 4 rolls / box

Read Range(2W ERP)



Radiation Pattern



PS: The performance is theoretical values in the lab and the actual effect depends on the specific applications.

RICHRFID

Web: <https://www.richrfid.com> E-mail: info@richrfid.com
 Shenzhen | Hong Kong | Singapore | Seoul | Tokyo | Paris



DISCLAIMER

All specifications are indicative and results may vary. Each user bears full responsibility for making its own determination as to the suitability of RICHRFID products, materials, services, recommendations, or advice for its own particular use.

For intended use only. Not to be repurposed or used for other applications without prior written permission from the manufacturer.

@2026 RICHRFID. All rights reserved.