

## Vibe 73 x 20 mm H10

The Vibe label by RICHRFID is designed for apparel, retail, and logistics operations. It performs exceptionally well on packaging materials such as corrugated cardboard and plastic transport containers.

The product is complied with EPC global Class 1 Gen 2, ISO 9001 quality management and ISO 14001 environmental management standards, ensuring reliable, industry-grade performance for diverse use cases.

Equipped with the Alien Higgs 10 IC. Ideal for high volume applications, Higgs10 offers flexible EPC memory structure supporting nominal 96-bit EPC formats, plus a 32-bit expansion for longer EPC formats. Higgs 10 also features up to 32-bits for optional User Memory data. The Alien IC is compatible with the global GS1 UHF Gen2v2 standard ISO / IEC 18000-63.

By enabling Privacy Mode, the label can be used for high-value products, authenticity verification, and applications requiring enhanced privacy protection.

The label size 73 × 20 mm which is Compact format suitable for printing QR codes, serial numbers, and other visible data. Ideal for stacked packaging applications.

### Overview

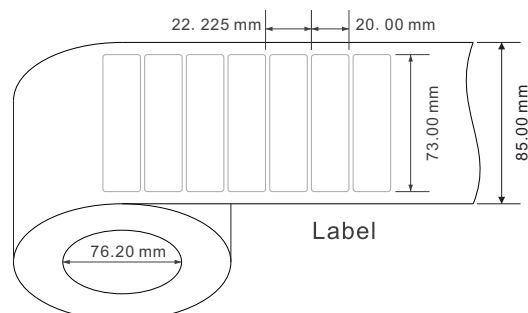
**Frequency Band**  
UHF 860-960 MHz

**Chip Type**  
Alien Higgs 10

**Dimension**  
73 x 20 mm / 2.87 x 0.787 in

**Air Interface Protocol**  
ISO/IEC 18000-63 Type C

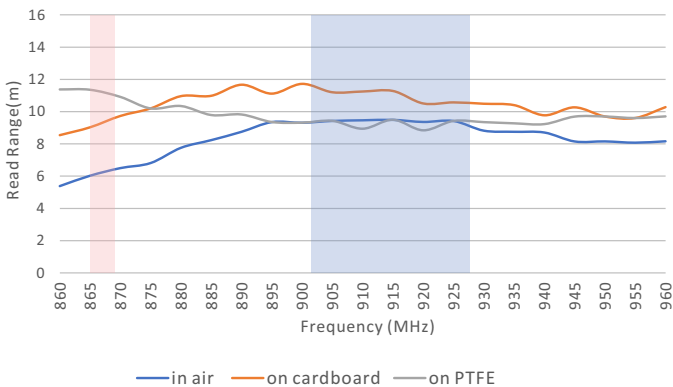
**Application**  
Retail & Apparel  
Asset tracking  
Smart packaging  
Authentication



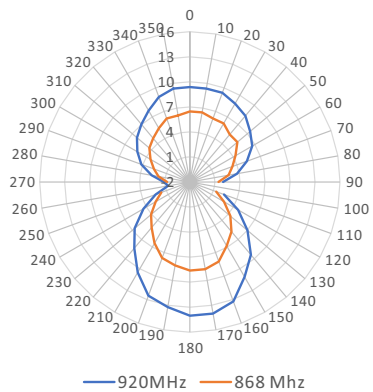
## Technical Features

Model	RC5071
<b>RFID Features</b>	
Frequency	860-960 MHz
Application	Non metal
Chip Type	Alien Higgs 10
Memory	Up to 128 EPC bits (nominally 96 bits) Up to 32 User bits (with 96 bit EPC)
Data Storage	> 10 years
Re-write	100,000 times
<b>Physical Features</b>	
Dimension	73 x 20 mm / 2.87 x 0.79 in
Material	Coated Paper
Adhesive	Hot Melt
Operating temperature	-40°C to 85°C / -40°F to 185°F
Recommended storage condition	20±5°C, 50±10% RH, Store away from sunlight
<b>Other Features</b>	
Installation	Adhesive on clean & dry surface
Customization	Printing, Encoding, Designing, etc.
Package	2,500 pcs / roll, 4 rolls / box

## Read Range(2W ERP)



## Radiation Pattern



PS: The performance is theoretical values in the lab and the actual effect depends on the specific applications.

**RICHRFID**

Web: <https://www.richrfid.com> E-mail: [info@richrfid.com](mailto:info@richrfid.com)  
Shenzhen | Hong Kong | Singapore | Seoul | Tokyo | Paris



### DISCLAIMER

All specifications are indicative and results may vary. Each user bears full responsibility for making its own determination as to the suitability of RICHRFID products, materials, services, recommendations, or advice for its own particular use.

For intended use only. Not to be repurposed or used for other applications without prior written permission from the manufacturer.

@2026 RICHRFID. All rights reserved.